



HUGE FLUID SOLUTIONS



HUGE PUMP



*HYGIENIC BODY
DIAPHRAGM PUMPS*



APPLICATION AREAS

- MACHINE - AUTOMATION
- FOOD INDUSTRY
- COSMETIC INDUSTRY
- MEDICAL INDUSTRY

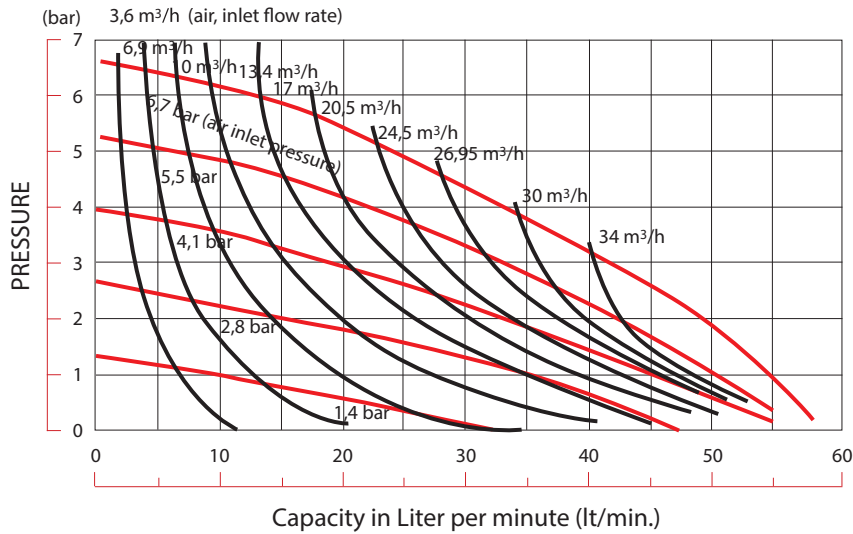
ADVANTAGES

- 1) Solid particles may pass through the pump.
- 2) Maintenance cost is low.
- 3) Liquid flow rate can also be adjusted when the air inlet pressure of the pump is adjusted.
- 4) The pump's air valve and pilot valve repair kits can be repaired without disassembling the pump.
- 5) It has the feature of working dry.
- 6) The suction depth of this pump is 6 m.

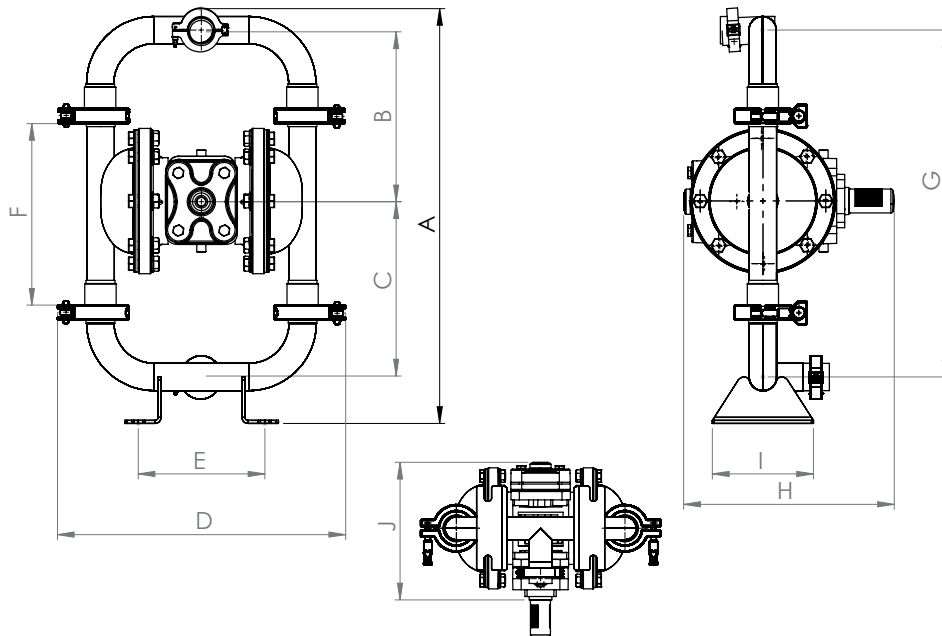
PUMP TECHNICAL SPECIFICATIONS

Max. Capacity	: 55 l/min
Fluid Inlet-Outlet	: 3/4"
Max. Fluid Discharge	: 7 bar
Body Material	: Sheet Stainless
Air Inlet Size	: 1/4"
Solid Particle Size	: 3 mm
Dry Suction Depth	: 6 m
Max Air Pressure	: 7 bar
Diaphragm Options	: Santoprene, Neoprene, Buna-N, EPDM, Teflon, Viton
Ball Options	: Santoprene, Neoprene, Buna-N, EPDM, Teflon, Viton
Ball Seat Options	: Santoprene, Neoprene, Buna-N, EPDM, Teflon, Viton

DIAPHRAGM PUMPS PERFORMANCE CURVES



PUMP EXTERNAL DIMENSIONS



A	B	C	D	E	F	G	H	I	J
410	170	172	285	125	180	343	209	100	165



APPLICATION AREAS



-  MACHINE - AUTOMATION
-  FOOD INDUSTRY
-  COSMETIC INDUSTRY
-  MEDICAL INDUSTRY

ADVANTAGES



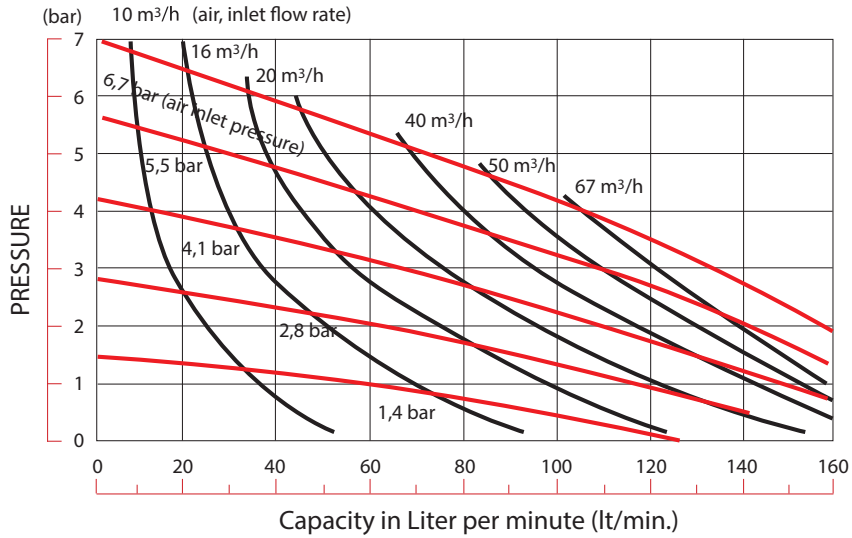
- 1) Solid particles may pass through the pump.
- 2) Maintenance cost is low.
- 3) Liquid flow rate can also be adjusted when the air inlet pressure of the pump is adjusted.
- 4) The pump's air valve and pilot valve repair kits can be repaired without disassembling the pump.
- 5) It has the feature of working dry.
- 6) The suction depth of this pump is 6 m.

PUMP TECHNICAL SPECIFICATIONS

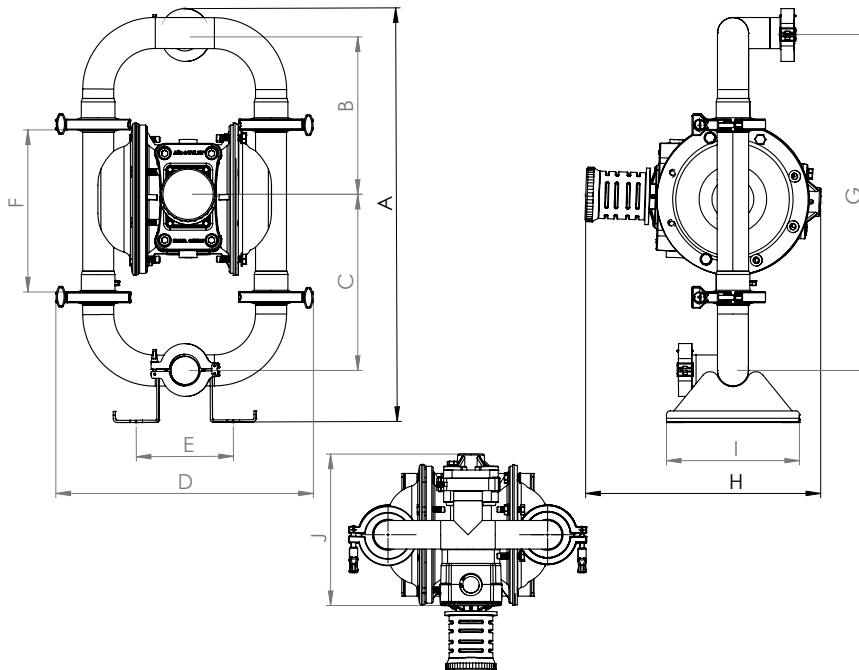


- Max. Capacity** : 150 l/min
- Fluid Inlet-Outlet** : 1"
- Max. Fluid Discharge** : 7 bar
- Body Material** : Sheet Stainless
- Air Inlet Size** : 1/2"
- Solid Particle Size** : 4 mm
- Dry Suction Depth** : 6 m
- Max Air Pressure** : 7 bar
- Diaphragm Options** : Santoprene, Neoprene, Buna-N, EPDM, Teflon, Viton
- Ball Options** : Santoprene, Neoprene, Buna-N, EPDM, Teflon, Viton
- Ball Seat Options** : Santoprene, Neoprene, Buna-N, EPDM, Teflon, Viton

DIAPHRAGM PUMPS PERFORMANCE CURVES



PUMP EXTERNAL DIMENSIONS



A	B	C	D	E	F	G	H	I	J
560	214	239	350	132	220	455	370	180	222



APPLICATION AREAS



- MACHINE - AUTOMATION
- FOOD INDUSTRY
- COSMETIC INDUSTRY
- MEDICAL INDUSTRY

ADVANTAGES



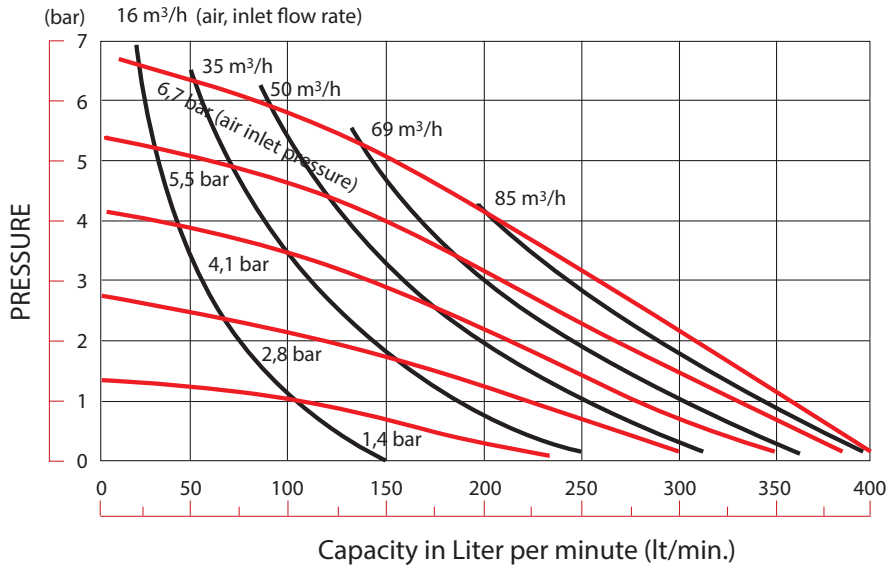
- 1) Solid particles may pass through the pump.
- 2) Maintenance cost is low.
- 3) Liquid flow rate can also be adjusted when the air inlet pressure of the pump is adjusted.
- 4) The pump's air valve and pilot valve repair kits can be repaired without disassembling the pump.
- 5) It has the feature of working dry.
- 6) The suction depth of this pump is 6 m.

PUMP TECHNICAL SPECIFICATIONS

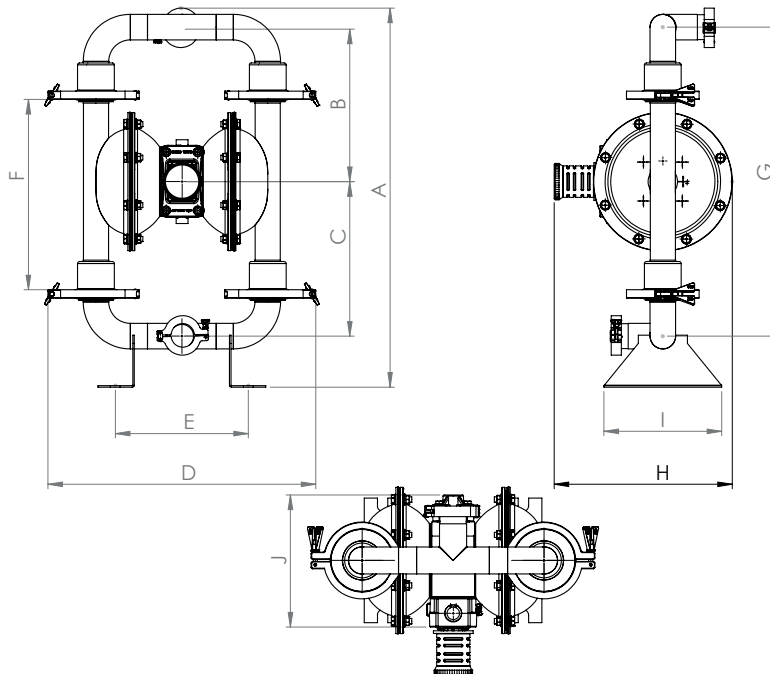


- Max. Capacity** : 400 l/min
- Fluid Inlet-Outlet** : 1½"
- Max. Fluid Discharge** : 7 bar
- Body Material** : Sheet Stainless
- Air Inlet Size** : 3/4"
- Solid Particle Size** : 6 mm
- Dry Suction Depth** : 6 m
- Max Air Pressure** : 7 bar
- Diaphragm Options** : Santoprene, Neoprene, Buna-N, EPDM, Teflon, Viton
- Ball Options** : Santoprene, Neoprene, Buna-N, EPDM, Teflon, Viton
- Ball Seat Options** : Santoprene, Neoprene, Buna-N, EPDM, Teflon, Viton

DIAPHRAGM PUMPS PERFORMANCE CURVES



PUMP EXTERNAL DIMENSIONS



A	B	C	D	E	F	G	H	I	J
773	310	315	546	271	366	630	363	240	255



APPLICATION AREAS

-  MACHINE - AUTOMATION
-  FOOD INDUSTRY
-  COSMETIC INDUSTRY
-  MEDICAL INDUSTRY

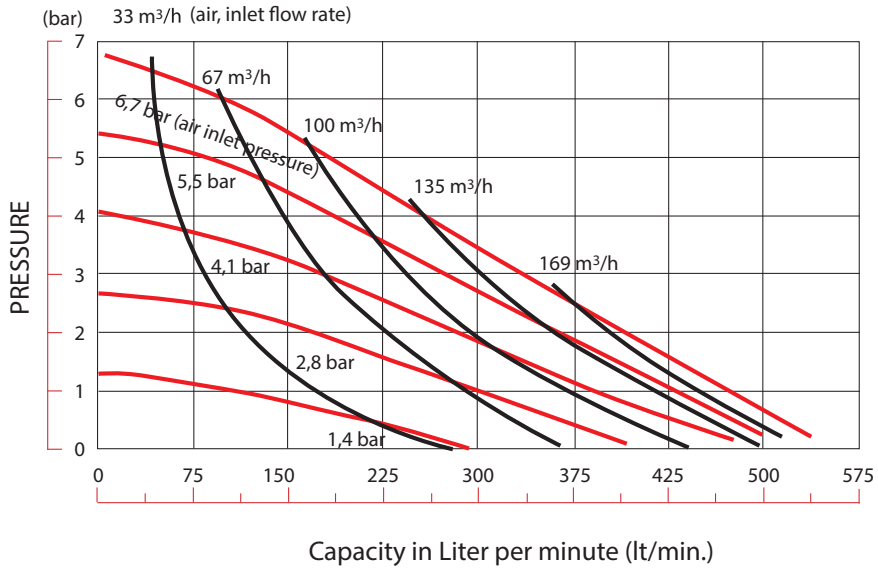
ADVANTAGES

- 1) Solid particles may pass through the pump.
- 2) Maintenance cost is low.
- 3) Liquid flow rate can also be adjusted when the air inlet pressure of the pump is adjusted.
- 4) The pump's air valve and pilot valve repair kits can be repaired without disassembling the pump.
- 5) It has the feature of working dry.
- 6) The suction depth of this pump is 6 m.

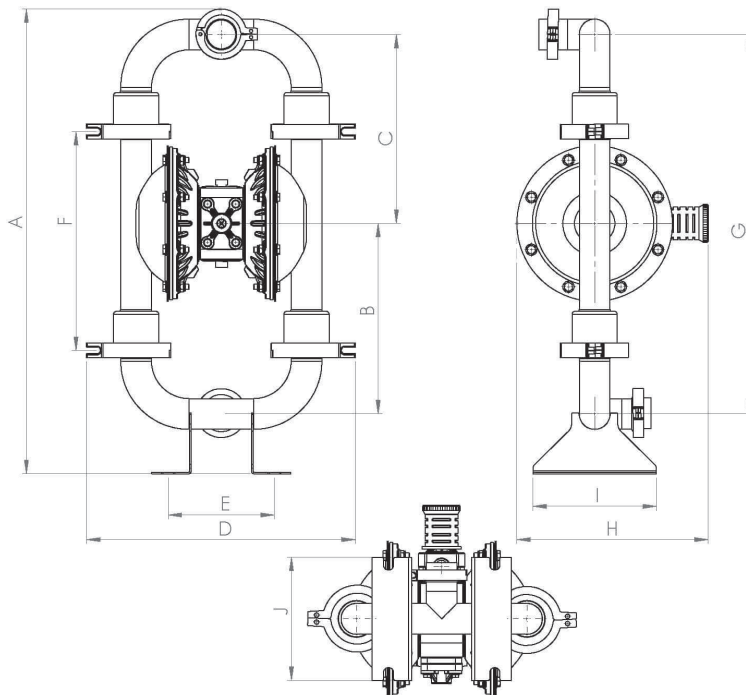
PUMP TECHNICAL SPECIFICATIONS

Max. Capacity	: 560 l/min
Fluid Inlet-Outlet	: 2"
Max. Fluid Discharge	: 7 bar
Body Material	: Sheet Stainless
Air Inlet Size	: 3/4"
Solid Particle Size	: 6 mm
Dry Suction Depth	: 6 m
Max Air Pressure	: 7 bar
Diaphragm Options	: Santoprene, Neoprene, Buna-N, EPDM, Teflon, Viton
Ball Options	: Santoprene, Neoprene, Buna-N, EPDM, Teflon, Viton
Ball Seat Options	: Santoprene, Neoprene, Buna-N, EPDM, Teflon, Viton

DIAPHRAGM PUMPS PERFORMANCE CURVES



PUMP EXTERNAL DIMENSIONS



A	B	C	D	E	F	G	H	I	J
905	371	368	524	207	426	740	373	240	240



APPLICATION AREAS



 MACHINE - AUTOMATION

 FOOD INDUSTRY

 COSMETIC INDUSTRY

 MEDICAL INDUSTRY

ADVANTAGES



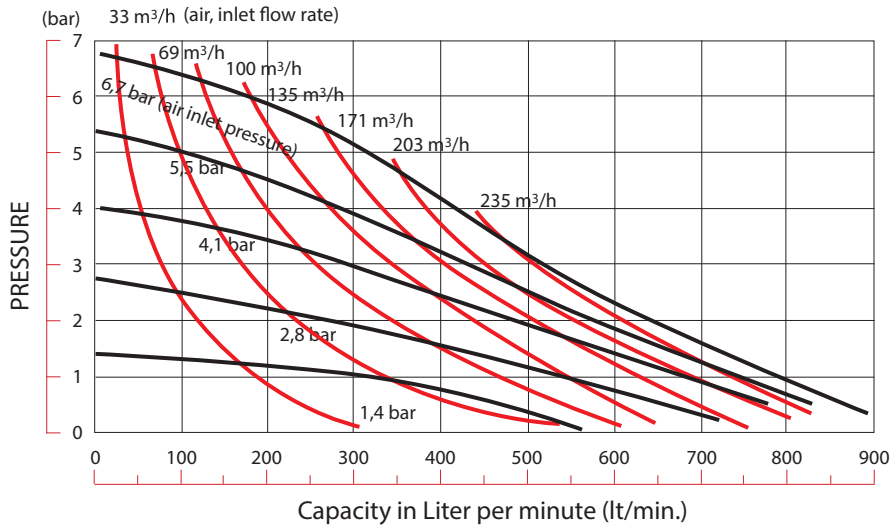
- 1) Solid particles may pass through the pump.
- 2) Maintenance cost is low.
- 3) Liquid flow rate can also be adjusted when the air inlet pressure of the pump is adjusted.
- 4) The pump's air valve and pilot valve repair kits can be repaired without disassembling the pump.
- 5) It has the feature of working dry.
- 6) The suction depth of this pump is 6 m.

PUMP TECHNICAL SPECIFICATIONS

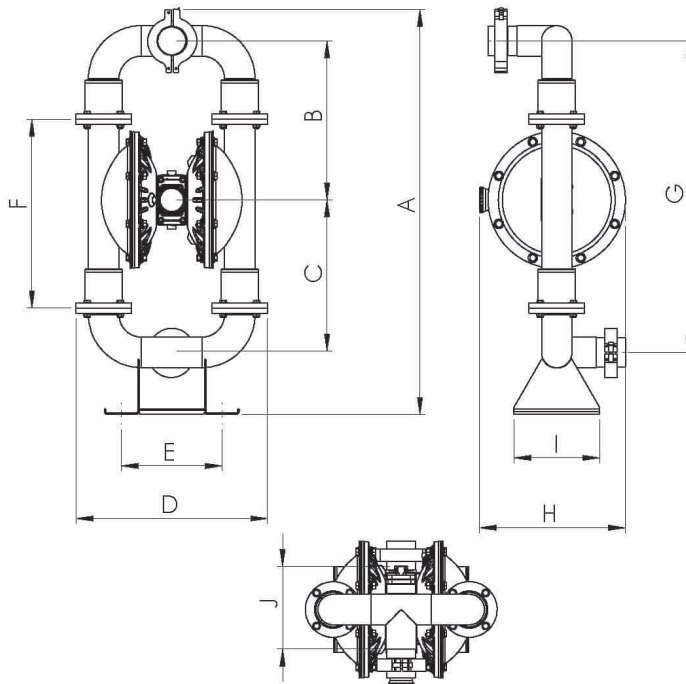


Max. Capacity	: 890 l/min
Fluid Inlet-Outlet	: 3"
Max. Fluid Discharge	: 7 bar
Body Material	: Sheet Stainless
Air Inlet Size	: 3/4"
Solid Particle Size	: 8 mm
Dry Suction Depth	: 6 m
Max Air Pressure	: 7 bar
Diaphragm Options	: Santoprene, Neoprene, Buna-N, EPDM, Teflon, Viton
Ball Options	: Santoprene, Neoprene, Buna-N, EPDM, Teflon, Viton
Ball Seat Options	: Santoprene, Neoprene, Buna-N, EPDM, Teflon, Viton

DIAPHRAGM PUMPS PERFORMANCE CURVES



PUMP EXTERNAL DIMENSIONS



A	B	C	D	E	F	G	H	I	J
1179	463	440	558	294	550	907	425	250	265